



AT880

All-terrain hydraulic crane

- Capacity 70 tonnes (77 tons)
- Maximum on-board tip height 58 metres (190 ft)
- 8 x 6 wheel drive with eight wheel steer
- Maximum speed 70 kph (43.5 mph)
- Optional *telescopic Swingaway 9.8 – 13.4 – 17.1 metres (32 ft – 44 ft – 56 ft). Offsettable at 0°, 15° or 30°



Superstructure specifications

Boom	12.10 to 38.00 m (39 ft 8 in to 124 ft 8 in) four-section, Trapezoidal boom including remote controlled aerial pinned section. Telescopic sections slide on adjustable and replaceable Nylatron pads. Maximum tip height 41 m (134 ft 6 in).
Optional *Non telescopic offsettable Swingaway extension	9.80 m (32 ft) lattice Swingaway boom extension, offsettable at 0°, 15° or 30°. Stows alongside boom when not in use. Maximum tip height 50 m (164 ft).
Telescopic offsettable Swingaway extension	9.8 to 13.4 or 17.1 m (32 to 44 or 61 ft) Swingaway boom extension with a rectangular roller mounted section extending from within the 9.8 m (32 ft) lattice extension. Offsettable at 0°, 15° or 30°. Stows alongside boom when not in use. Maximum tip height 58 m (190 ft).
Boom nose	Six sheaves, mounted on heavy duty tapered roller bearings, with removable pin-type rope guards.
Auxiliary boom nose	Pin mounted, removable auxiliary boom nose for single line lifting.
Boom elevation	Twin double-acting hydraulic cylinders with integral holding valves provide elevation from -4° to +80°.
Load moment indicator and anti-two block system	Audio-visual type warning with control lever lockout.
Cab	Acoustically treated, fully enclosed with safety glass, hinged skylight with electric wiper, windscreen wiper, horn, heater, air circulation fan, crane level indicator, lockable sliding door, instrumentation, pilot type crane controls and travel controls.
Swing	Ball bearing swing circle with 360° continuous rotation. Planetary gearbox with free swing and foot applied multi-disc brake. Spring-applied hydraulically released park brake. Plunger-type two position house lock operated from cab. Maximum speed 1.9 rpm.
Counterweight	Fixed position counterweight, part permanently mounted to rear of superstructure with additional pin mounted counterweight stowable on crane carrier, giving a total of 2000 kg (5291 lb). Additional *3500 kg (7937 lb) counterweight to give a total of 5500 kg (13,228 lb). Additional *5900 kg (13,228 lb) counterweight to give a total of 11,400 kg (26,456 lb).

HYDRAULIC SYSTEM

Pumps	Four main gear pumps, combined capacity 625 litres/minute (165 US gallons/minute). Maximum pressure 207 kg/cm ² (3000 PSI).
Valves	Precision, four-way, double-acting, pilot-operated control valves with four individual valve banks, permit simultaneous control of multiple crane functions.
Filter	Pressure line type filter with by-pass protection and filter service indicator. Replaceable 10 micron rated cartridge.
Reservoir	626 litres (165 US gallons) capacity, with internal baffles, clean out access and external oil level gauge.
Oil cooler	Thermostatically controlled, electric motor driven fan.
Pressure check panel	System pressure test panel with quick-release couplings.

HOIST SPECIFICATIONS

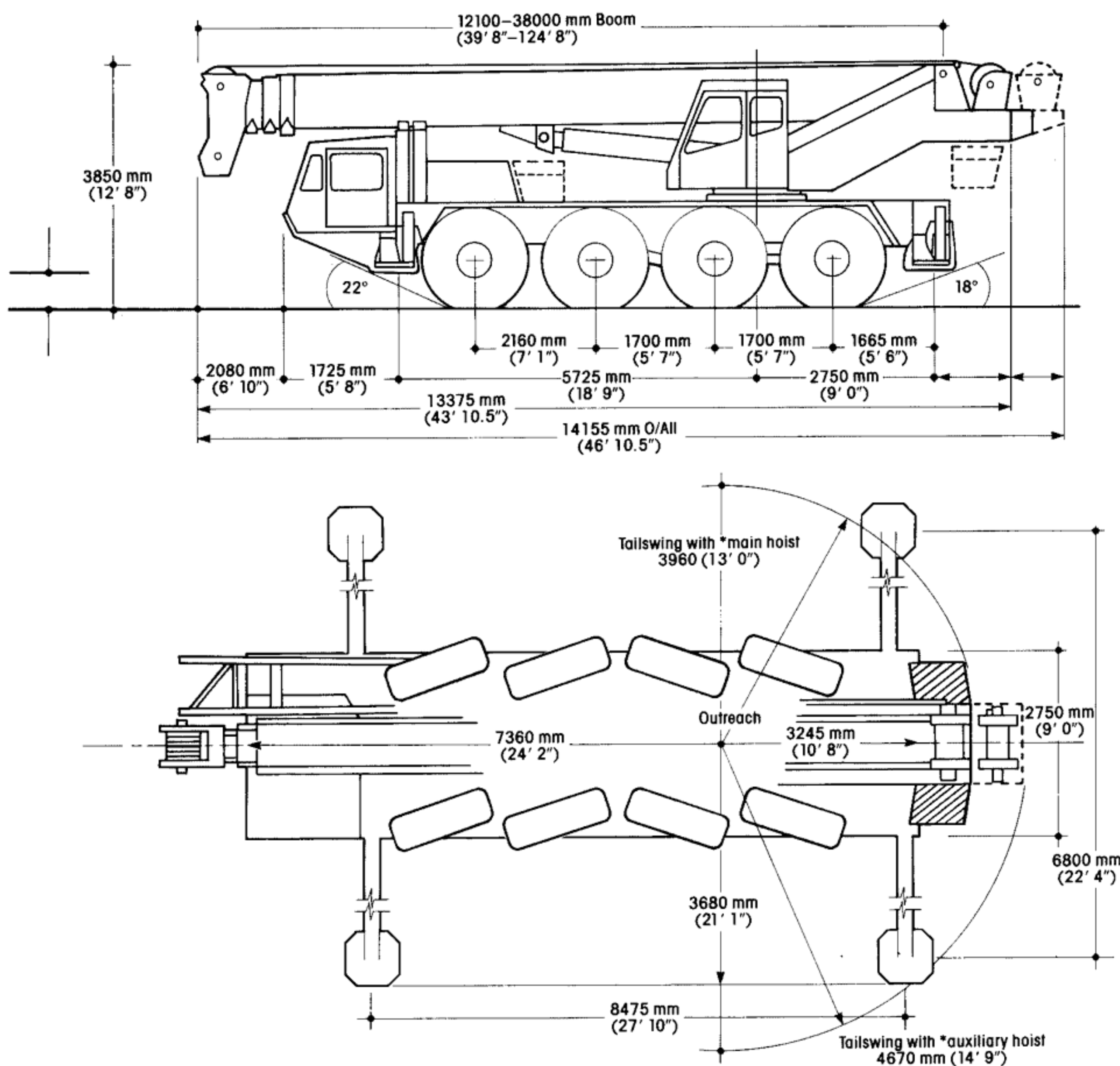
	Power up and down, equal speed, planetary reduction with integral automatic spring-applied, multi-disc brake. Electronic hoist drum rotation indicator.		
	Main hoist High Range	Low Range	*Auxiliary hoist Single Range
Maximum single line speed			
Bottom layer	142 m/min (466 fpm)	71 m/min (233 fpm)	106 m/min (348 fpm)
Intermediate layer	153 m/min (502 fpm)	76 m/min (250 fpm)	113 m/min (371 fpm)
Top layer	164 m/min (538 fpm)	82 m/min (269 fpm)	120 m/min (394 fpm)
Maximum single line pull			
Bottom layer	3742 kg (8232 lb)	7484 kg (16,465 lb)	4149 kg (9128 lb)
Intermediate layer	3472 kg (7638 lb)	6945 kg (15,279 lb)	3910 kg (8602 lb)
Top layer	3239 kg (7126 lb)	6478 kg (14,252 lb)	3690 kg (8118 lb)
Maximum permissible line pull	5200 kg (11,465 lb)		3100 kg (6835 lb)
Maximum rope stowage	210 m x 19 mm (666 ft x 3/4 in)		214 m x 14 mm (682 ft x 9/16 in)
Standard rope supplied	230 m x 19 mm (590 ft x 3/4 in)		175 m x 14 mm (574 ft x 9/16 in)

*Indicates optional item.

Carrier specifications

Frame	High-strength alloy steel, all welded box section design with integral outrigger housings and incorporating towing/tie down bracket. 2.75 m (9 ft) overall width, with 16.00 tyres.	Lights	Full lighting system including head, tail, stop, reverse, fog, hazard warning and directional indicators.
Outrigger system	Hydraulic telescopic beam and jack outriggers with integral holding valves. Quick-release outrigger floats.	Cab	Safety glass throughout, acoustically treated, two man, left-hand drive, windscreen wipers and washers, heater and demister, mirrors, full instrumentation and travel controls. Tachograph.
Outrigger controls	Located in the superstructure cab and on both sides of the carrier frame. Push-button electric controls requiring two-handed operation for safety. Crane level indicator adjacent to each set of controls.	Maximum speed	70 kph (43.5 mph).
Engine	Deutz BF8L513, eight-cylinder turbocharged air-cooled diesel. 12.8 litres, 243 kw (326 bhp) at 2300 rpm. Maximum torque 1170 Nm (863 lb ft) at 1500 rpm.	Gross vehicle weight and axle loads	1) Machine to basic specification, plus telescopic Swingaway, hookblock and 2000 kg (4408 lb) counterweight. Axle 1: 11,000 kg (24,255 lb) Axle 2: 11,000 kg (24,255 lb) Axle 3: 11,000 kg (24,255 lb) Axle 4: 11,000 kg (24,255 lb) GVW: 44,000 kg (97,020 lb) 2) Machine to basic specification, plus telescopic Swingaway, spare wheel, multi fall hookblock and 5,500 kg (12,122 lb) of counterweight. Axle 1: 12,000 kg (26,455 lb) Axle 2: 12,000 kg (26,455 lb) Axle 3: 12,000 kg (26,455 lb) Axle 4: 12,000 kg (26,455 lb) GVW: 48,000 kg (105,820 lb) 3) Machine to basic specification, plus telescopic Swingaway, spare wheel, multi fall hookblock and 11,400 kg (25,132 lb) of counterweight. Axle 1: 13,500 kg (29,754 lb) Axle 2: 13,500 kg (29,754 lb) Axle 3: 13,500 kg (29,754 lb) Axle 4: 13,500 kg (29,754 lb) GVW: 54,000 kg (119,016 lb)
Fuel tank capacity	365 litres (96 US gallons).		
Electrical system	24 v (including starting).		
Drive	8 x 6.		
Steering	Power assisted, semi integral type front axle steering, with transmission driven emergency power steering. Fully independent hydraulic steering on rear axles providing eight-wheel co-ordinated, or eight-wheel crab-steering modes. Automatic steering reversal system to ensure correct control regardless of superstructure position.		
Transmission	Remote mounted powershift transmission with twelve forward and six reverse speeds. Integral torque converter with automatic lock-up for highway travel.		
Axles	1: Drive-Steer 2: Steer 3: Drive-Steer 4: Drive-Steer All drive axles have planetary hub reduction and cross differential locks.	Optional *equipment	Superstructure *Auxiliary hoist *Spotlight *Rotating beacon *Hookblocks Carrier *Spare wheel assembly and mounting *Rotating beacons *20.5 x 25 tyres (2.9 m max O/A width) *Transmission retarder
Suspension	Integral hydrogas suspension all round. Hydraulic lockout and automatic levelling system operated from cab.		
Brakes	Dual-line air system operating on all wheels. Spring-applied air-released park brake acting on axles three and four. Engine exhaust brake.		
Tyres	16.00 x 25 on-off highway radials all round. Tyre inflation kit.		

**Indicates optional item.*



Dimensions refer to machine with standard tyres

Europe, Africa, Middle East, Indian Sub-continent
Grove

Bicester, Oxfordshire, England OX6 0TZ
Telephone: Bicester (0869) 246800
Telex: 837447 CRANES G
Fax: Bicester (0869) 246965

North and South America, Far East, Australasia
Grove

Shady Grove, Pennsylvania PA17256, USA
Telephone: (717) 597-8121
Telex: 842308
Fax: (717) 597-4062

Constant improvement and engineering progress make it necessary that the company reserves the right to make specification, equipment and price changes without notice. Illustrations shown may include optional equipment and accessories and may not include all standard equipment. Optional equipment is designated by (*) in specifications folder.

Grove Coles Limited, Registered in England, No 1845128. Registered Office, Crown Works, Sunderland, England SR4 6TT.