

GROVE®

**FULL HYDRAULIC
SELF-PROPELLED CRANE**

**MODEL
RT62S
25 Ton Capacity**

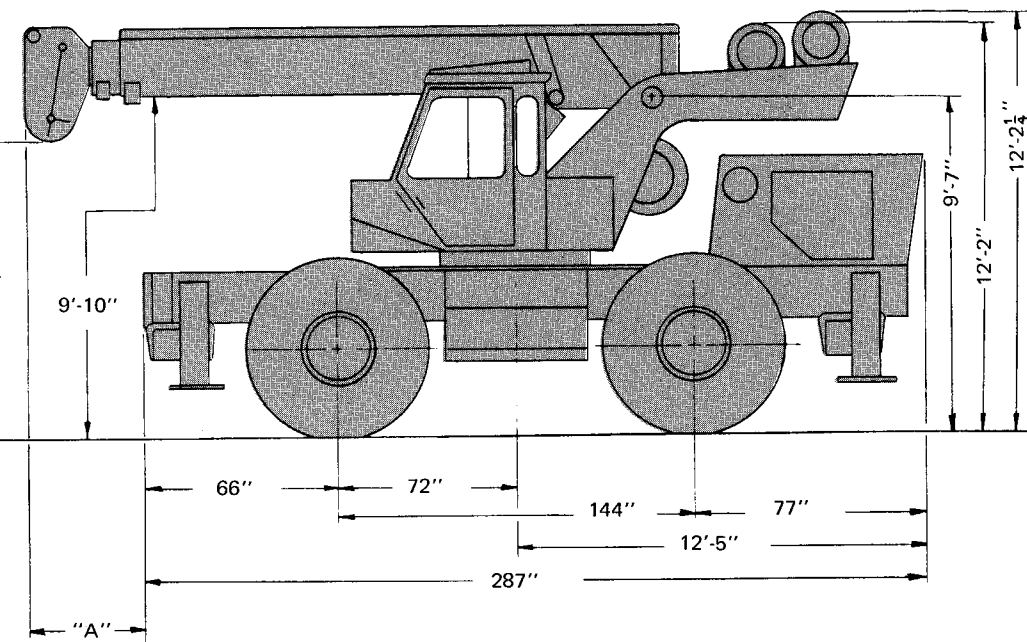
FEATURES

- * **50,000 lbs. Capacity**
- * **Hook Height 137 ft. maximum**
- * **Turntable-Mounted Control Cab**
- * **4-Wheel Drive, 4-Wheel Steer
4-Wheel Power-Assist Brakes**
- * **Hoist Speeds To 360 fpm**
- * **Front and rear hydraulic double-box sliding beam outriggers and box-type vertical jacks are independently controlled from cab. Maximum outrigger extension is 16' 11", center of jacks.**



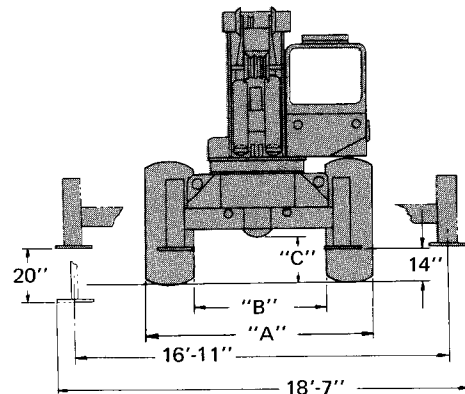


DIMENSIONS



TURNING RADIUS 23'-0"

TAIL SWING 11'-1"



SIDE VIEW	"A"
24'-60' BOOM	10'-2 ³ / ₈ "
32'-80' BOOM	16'-2 ³ / ₈ "
29'-92' BOOM	13'-9 ¹ / ₈ "

FRONT VIEW TIRE SIZE	"A"	"B"	"C"
21.00 x 25	119.4"	73.6"	22"
18.00 x 25	114.4"	79.3"	20.9"
26.5 x 25	123.6"	69.8"	22.4"

SPEED & GRADEABILITY

TRANSMISSION RANGE	MPH @ 2600 RPM	% OF GRADEABILITY @ 2600 RPM	% OF GRADEABILITY AT STALL SPEED	TRACTIVE EFFORT AT STALL (lbs.)
1st Forward	3.46	15.3	54	32,000
2nd Forward	6.77	6.8	27.2	16,300
3rd Forward	12.89	2.6	14.4	8,700
4th Forward	25.48	.35	8.7	4,300

NOTE: All performance data is based on standard machine and may vary plus or minus 10% due to variations in engine performance.

STANDARD MACHINE WORKING WEIGHT	TOTAL WEIGHT (Lbs.)	AXLE WEIGHT DISTRIBUTION	
		(FRONT)	(REAR)
With 24'-60' Boom	62,870	31,140	31,730
32'-80' Boom	65,980	35,720	30,260
29'-92' Boom	66,730	37,850	28,880

SPECIFICATIONS

BOOMS — 24'-60', 3 Section, Full Power Telescoping Boom.
 *32'-80', 3 Section, Full Power Telescoping Boom.
 *29'-92', 4 Section, Power Telescoping Boom. Two Full Power Sections, Fly Section Power Extended and Retracted from Pinned Position.

BOOM ELEVATION — Twin double-acting hydraulic cylinders with integral safety holding valves. (0° to 75° Boom Elevation).

BOOM NOSE — Four Sheave Fixed Boom Nose with Integral Cable Guards.

*JIBS — 20' "Stowaway" Type
 24' "Stowaway" Type
 24'-40' "Stowaway" Telescoping Jib

SWING — 360° continuous rotation, ball bearing swing circle, external pinion, bull gear integral with swing circle, speed 2.5 RPM. Automatic Swing Brake, integral with swing control lever. Manually operated, Swing House Lock (plunger type) for normal travel position.



SPECIFICATIONS

DESCRIPTION: Power Up and Down, Equal Speed, Planetary Reduction, with Integral Automatic Brake.				
HOIST DATA	MAIN HOIST	*MAIN HOIST (Free Fall)	*AUXILIARY HOIST	*AUXILIARY HOIST (Free Fall)
Drum Dimensions	Model 5090 MECR 14.5" diameter 16" length 22.3" diameter flange	Model 5090 MGECR 14.5" diameter 16" length 22.3" diameter flange	Model 40 SECR 9" diameter 8" length 17.5" diameter flange	Model 40 SGECR 9" diameter 8" length 17.5" diameter flange
Performance	Single Line Speed 360 FPM (Max.) Single Line Pull 11,700 lbs. (Max.)	Same as 5090 MECR with Free Fall Feature	Single Line Speed 290 FPM (Max.) Single Line Pull 9,000 lbs. (Max.)	Same as 40 SECR, with Free Fall Feature
Cable Capacity	690' of 5/8" Cable	690' of 5/8" Cable	400' of 1/2" Cable	400' of 1/2" Cable
Permissible Line Pull	9700 lbs. (Max.)	9700 lbs. (Max.)	7,200 lbs. (Max.)	7,200 lbs. (Max.)

HYDRAULIC SYSTEM — 3 pumps gear type, 120 GPM combined capacity. Separate pump for front steer, 15 GPM.

MAIN POWER DISTRIBUTION — [Main Hoist, Auxiliary Hoist]; [Boom Elevation, Telescope Mid Rear Steer]; [Telescope Fly, Outriggers, Swing] [Front Steer]

CONTROLS — Precision four-way double-acting type with integral load check, main and circuit relief valves. Three banks permitting multiple control of crane functions.

HYDRAULIC RESERVOIR — 180 gallon capacity, all steel welded construction with integral baffles and top clean-out hole.

OUTRIGGERS — Hydraulic, double-box sliding beam and box-type integral with main frame; includes steel covers for vertical jack cylinders, safety check valves and mechanical pin locks. Beams extend to 16'-11" center to center, retract to 9'8" overall width. Full hydraulic in, out, up, and down. Outrigger controls mounted in the operator's cab.

OPERATOR'S CAB — Turntable mounted, all steel, fully enclosed with safety glass throughout. Skylight folds back for additional cab ventilation. Heater, wiper and left-hand door. Includes all engine instruments and all controls for driving the vehicle and performing crane functions.

MAIN FRAME — All welded construction with full depth longitudinal and cross members, frame double reinforced at critical points to insure a rigid turntable mounting.

TRANSMISSION & TORQUE CONVERTER — Engine mounted converter. 3.00:1 stall ratio with PTO for hydraulic pumps. Remote-mounted full power-shift transmission.

SPEEDS — 4 forward and 4 reverse, with rear axle disconnect.

DRIVE-STEER AXLES — (Front & Rear). Heavy duty planetary-type with twin steering cylinders. Rear axle mounted to allow 12" vertical oscillation.

OSCILLATION LOCKOUTS — Automatic hydraulic on rear axle.

SERVICE BRAKES — Four wheel air operated, internal expanding, size 20" x5".

PARKING BRAKES — Front axle equipped with spring applied safety brakes for fail safe and parking brake.

TIRES — 21.00 x 25 - 24 ply wide base earth-mover type (tubeless).
*18.00 x 25 - 28 ply excavator (tubeless).
*26.5 x 25 - 20 ply wide base earth-mover type (tubeless).

ENGINE SPECIFICATIONS

MAKE	Cummins Diesel CS-454	*Detroit Diesel 6V-53N	*Caterpillar D-3150 Diesel
TYPE	6 Cylinder O.H.V.	6 cylinder O.H.V.	8 cyl. 573 cu. in., 4 cycle
BORE & STROKE	4.4375" x 5.00"	3.875" x 4.50"	4.5" x 4.5"
DISPLACEMENT	454 cu. in.	318.4 cu. in.	573 cu. in.
HORSEPOWER (NET)	165 @ 2600 RPM	178 @ 2500 RPM	140 @ 2750 RPM
GOVERNED RPM	2600 RPM	2600 RPM	2800 RPM
TORQUE (NET)	368 lbs. ft. @ 1700 RPM	436 lbs. ft. @ 1200 RPM	385 lbs. ft. @ 1550 RPM
ELECTRICAL SYSTEM	12 volt	12 volt	12 volt
COMBUSTION SYSTEM	4 cycle, with blower	2 cycle, with blower	4 cycle, naturally aspirated
COOLING	Water cooled	Water cooled	Water cooled

FUEL CAPACITY — 93 gallons

*DENOTES OPTIONAL EQUIPMENT

CONSTANT IMPROVEMENT AND ENGINEERING PROGRESS MAKES IT NECESSARY THAT WE RESERVE THE RIGHT TO MAKE SPECIFICATION, EQUIPMENT AND PRICE CHANGES WITHOUT NOTICE.